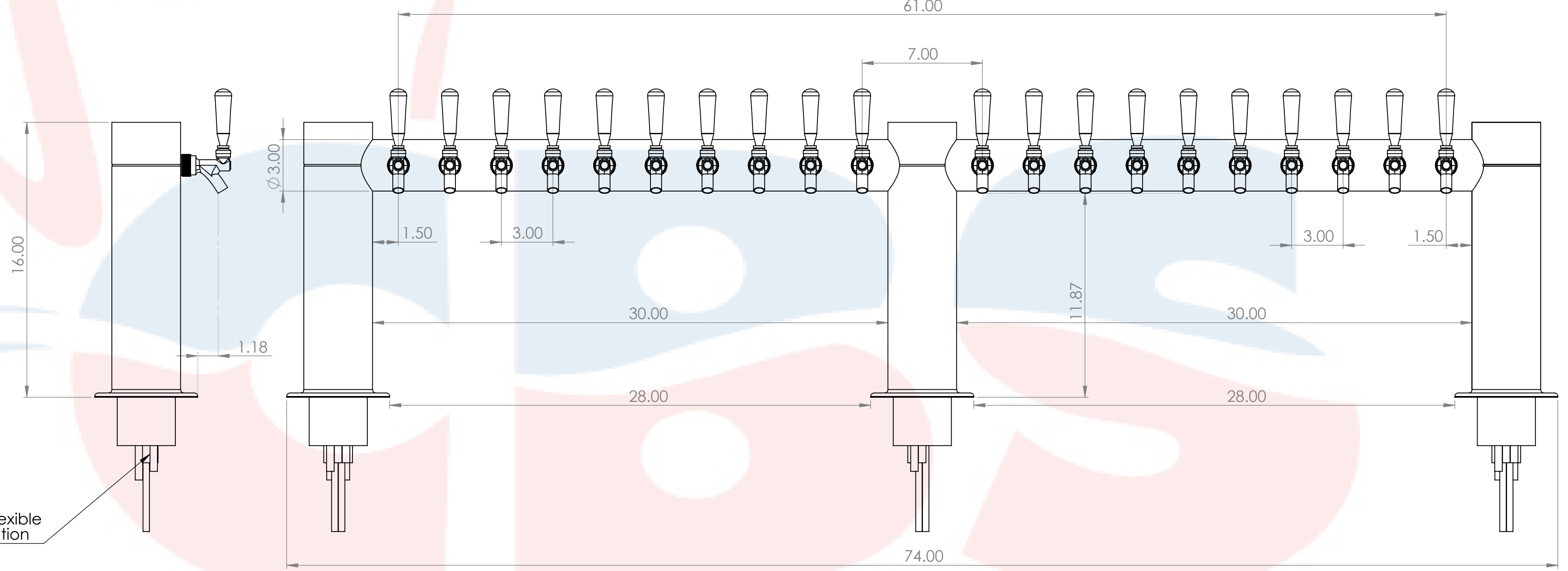
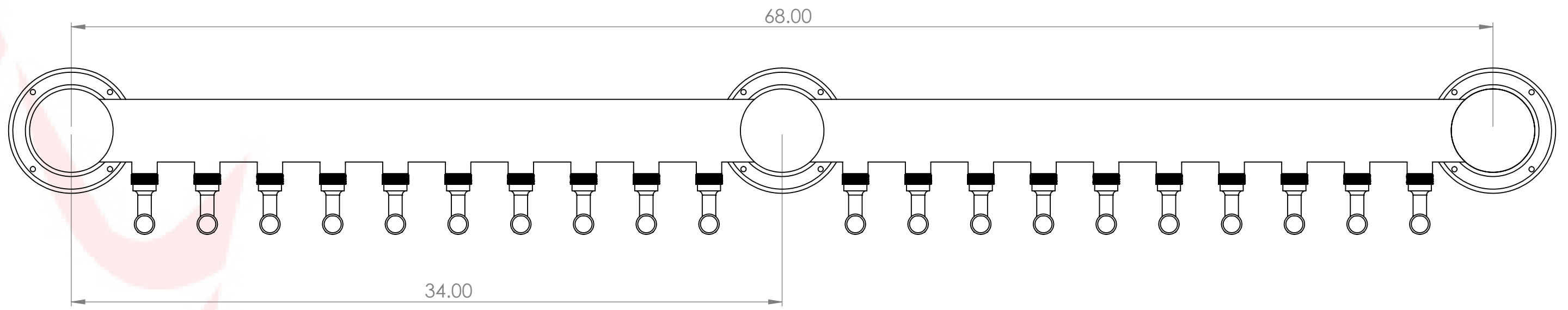
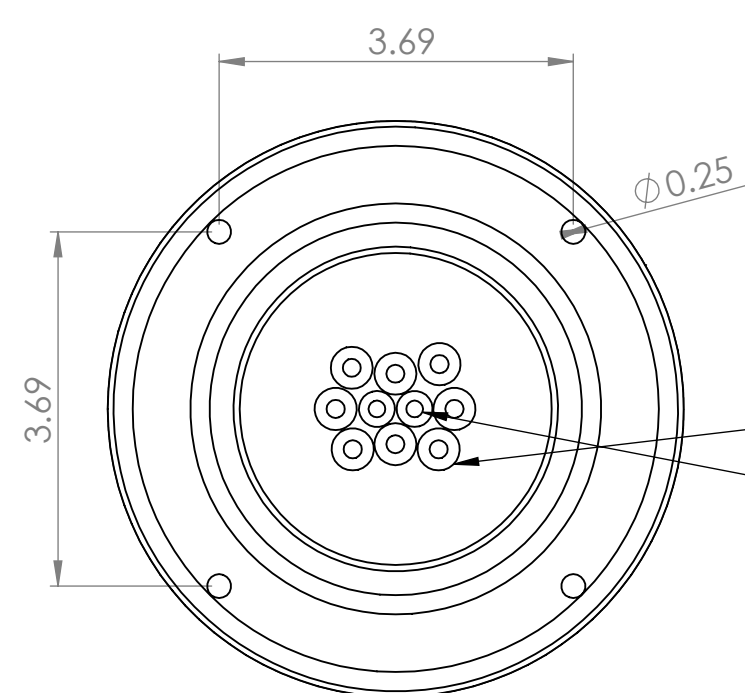


Isometric View
(For reference purpose only)



304SS tube connected to CBS NSF Flexible Total Barrier Tubing to 15lbs of Restriction



DETAIL B
SCALE 1 : 2

20 beer lines: 3/16" ID x 7/16" OD
2 recirculation lines: 3/8" OD ACR copper

Suggested Drip Tray:
2 x BB701634 - 34" x 8" (6" C/O-C) BSS Drip Tray
2 x BB702634 - 34" x 8" (6" C/O-C) BSS Spray Drip Tray



Name		Date		Title:	
Drawn by:	Canadian Beverage Supply Inc.	06/18/2020		20 Tap Metro M Tower	
Approved by:	VP Sales			Part Number: BB102715-20SSCK	
Material:	304 SS	Finish:	Polished SS	Revision:	
Unless otherwise mentioned, dimensions are inches				SCALE: 1:5	